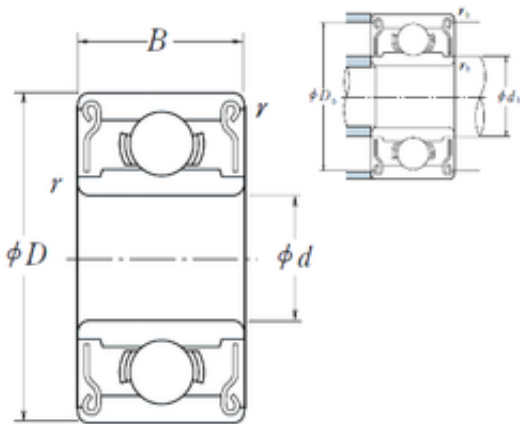




# Zaozhuang Yiding Bearing Co., Ltd.



6,35 mm x 9,525 mm x 3,175 mm 6,35 mm x  
9,525 mm x 3,175 mm ISO R168B-2RS deep  
groove ball bearings

Bearing No. R168B-2RS

Size	6.35x9.525x3.175 mm
Bore Diameter	6,35 mm
Outer Diameter	9,525 mm
Width	3,175 mm
d	6,35 mm
D	9,525 mm
B	3,175 mm
C	3,175 mm
r min.	0,1 mm

R168B-2RS Bearing 2D drawings and 3D CAD models