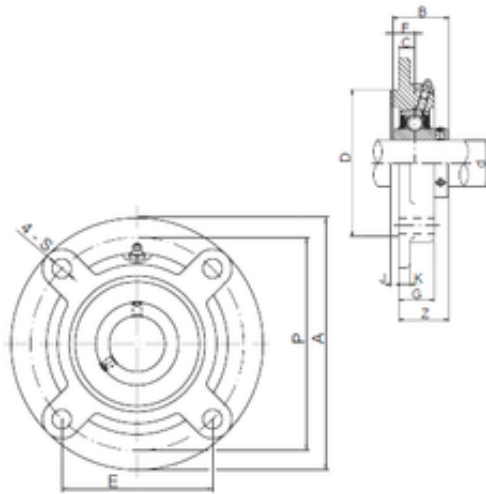




Zaozhuang Yiding Bearing Co., Ltd.

15 mm x 62 mm x 31 mm 15 mm x 62 mm x 31 mm ISO UCFC202 bearing units



Bearing No. UCFC202

Bore Diameter	15 mm
d	15 mm
P	78 mm
Z	28,3 mm
A	100 mm
B	31 mm
C	10 mm
D	62 mm
E	55,1 mm
F	12,7 mm
G	20,5 mm
J	5 mm
K	7 mm
S	12 mm
Bolt (G)	M10

UCFC202 Bearing 2D drawings and 3D CAD models