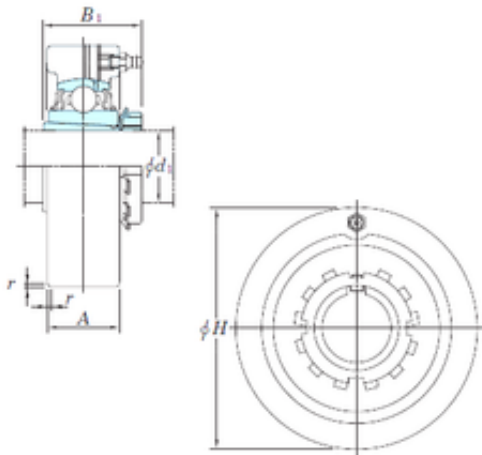




# Zaozhuang Yiding Bearing Co., Ltd.



## KOYO UKC315 bearing units

Bearing No. UKC315

|                               |         |
|-------------------------------|---------|
| Bore Diameter                 | 65 mm   |
| d                             | 65 mm   |
| r                             | 4 mm    |
| A                             | 55 mm   |
| B1                            | 73 mm   |
| H                             | 190 mm  |
| Weight                        | 8 Kg    |
| Basic dynamic load rating (C) | 113 kN  |
| Basic static load rating (C0) | 77,2 kN |

UKC315 Bearing 2D drawings and 3D CAD models