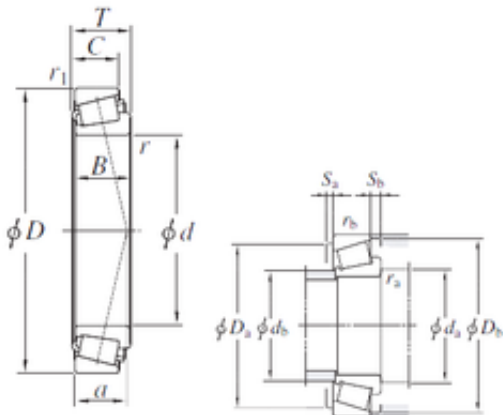




Zaozhuang Yiding Bearing Co., Ltd.

140 mm x 210 mm x 56 mm KOYO 33028JR tapered roller bearings

Bearing No. 33028JR



33028JR Bearing 2D drawings and 3D CAD models

Size	140x210x56 mm
Bore Diameter	140 mm
Outer Diameter	210 mm
Width	56 mm
d	140 mm
D	210 mm
T	56 mm
B	56 mm
C	44 mm
a	45,6 mm
r min.	2,5 mm
r1 min.	2 mm
r2 min.	2 mm
da min.	152 mm
da max	152 mm
Da min	186 mm
Da max.	200 mm
db max.	152 mm
Db min.	202 mm
ra max.	2 mm
rb max.	2 mm
Db	202 mm
Weight	6,61 Kg
Basic dynamic load rating (C)	406 kN
Basic static load rating (C0)	758 kN



Zaozhuang Yiding Bearing Co., Ltd.

(Grease) Lubrication Speed	1600 r/min
(Oil) Lubrication Speed	2200 r/min
Calculation factor (e)	0,36
Calculation factor (Y0)	0,92
Category	Bearings
Inventory	0.0
Manufacturer Name	KOYO
Minimum Buy Quantity	N/A
EAN	0605790369995
Weight / US pound	14.56
Product Group	B04334
Bearing No.	33028JR
r(min)	2.5
r1(min)	2
Cr	510
C0r	758
Cu	90.9
Grease lub.	1600
Oil lub.	2200
a	45.6 mm
da(min)	152
db(max)	152
Da(max)	200
Da(min)	186
Db(min)	202
Sa(min)	7
Sb(min)	12
ra(max)	2
rb(max)	2
e	0.36
Y1	1.67
Y0	0.92



Zaozhuang Yiding Bearing Co., Ltd.

(Refer.)Mass(kg)	6.61
------------------	------