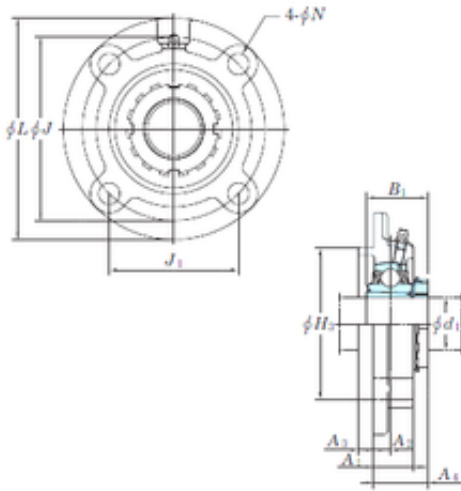




# Zaozhuang Yiding Bearing Co., Ltd.



UKFCX13 Bearing 2D drawings and 3D CAD models

## KOYO UKFCX13 bearing units

Bearing No. UKFCX13

Bore Diameter	60,325 mm
d	60,325 mm
H3	140 mm
A4	45 mm
A1	33 mm
B1	65 mm
J	165 mm
L	194 mm
N	16 mm
Bolt (G)	M14
A2	11 mm
A3	20 mm
J1	116,7 mm
Weight	5,3 Kg
Basic dynamic load rating (C)	62,2 kN
Basic static load rating (C0)	44,1 kN