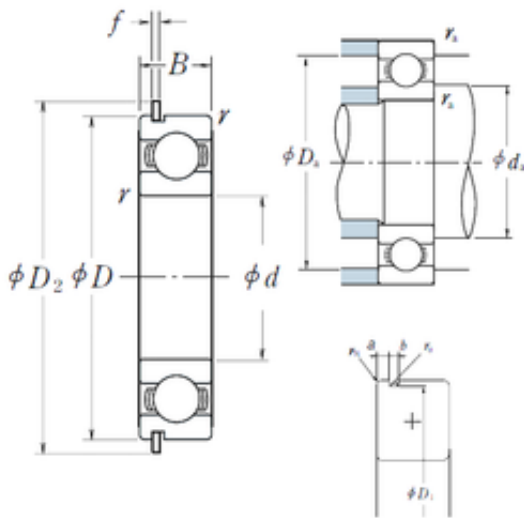




Zaozhuang Yiding Bearing Co., Ltd.



85 mm x 110 mm x 13 mm NSK 6817NR deep groove ball bearings

Bearing No. 6817NR

6817NR Bearing 2D drawings and 3D CAD models

| | |
|-------------------------------|--------------|
| Size | 85x110x13 mm |
| Bore Diameter | 85 mm |
| Outer Diameter | 110 mm |
| Width | 13 mm |
| d | 85 mm |
| D | 110 mm |
| B | 13 mm |
| C | 13 mm |
| rn | 0,5 mm |
| a | 2,1 mm |
| b | 1,3 mm |
| f | 1,12 mm |
| r min. | 1 mm |
| r0 max. | 0,4 mm |
| D1 | 107,6 mm |
| D2 | 115,7 mm |
| da min. | 90 mm |
| da max | 90,5 mm |
| Da max. | 105 mm |
| ra max. | 1 mm |
| Weight | 0,263 Kg |
| Basic dynamic load rating (C) | 18,7 kN |
| Basic static load rating (C0) | 20 kN |
| (Grease) Lubrication Speed | 5 600 r/min |
| (Oil) Lubrication Speed | 6 700 r/min |



Zaozhuang Yiding Bearing Co., Ltd.

| | |
|------------|---------------|
| SRI | 3.7 |
| hidYobi | 6817NR |
| LangID | 1 |
| ro | 0.4 |
| D_ | 110 |
| SREX | 0.02 |
| B_ | 13 |
| da min | 90 |
| hidTable | ecat_NSRDGB |
| Oil rpm | 6700 |
| SRE | 3.7 |
| Cy | 2.9 |
| mass | 0.263 |
| GRS rpm | 5600 |
| ra | 1 |
| SRIX | 0.02 |
| D_a | 105 |
| SRIN | -0.02 |
| C0 | 20 |
| fo | 17.1 |
| SREN | -0.02 |
| DE_ | 104.644 |
| Prod_Type3 | DGBB_SR_NR_OT |
| DA_ | 7.144 |
| bomp | 0 |
| Z_ | 23 |
| yobi | 6817NR |
| Dx | 117 |
| C_conv | 18700 |
| ALPHA_ | 0 |
| SDM_ | 97.5 |
| r | 1 |
| | |



Zaozhuang Yiding Bearing Co., Ltd.

| | |
|------|--------|
| KBRG | 6101 |
| SBRG | 18 |
| DI_ | 90.356 |