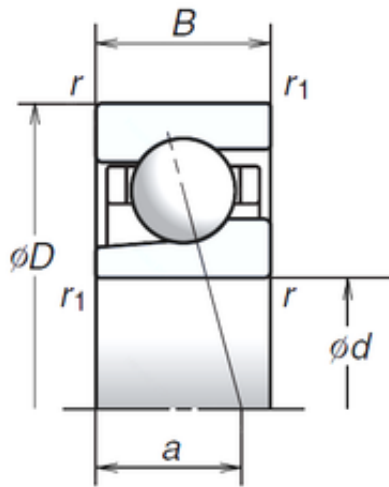




# Zaozhuang Yiding Bearing Co., Ltd.



17 mm x 35 mm x 10 mm NSK 17BGR10S  
angular contact ball bearings

Bearing No. 17BGR10S

Size	17x35x10 mm
Bore Diameter	17 mm
Outer Diameter	35 mm
Width	10 mm
d	17 mm
D	35 mm
B	10 mm
C	10 mm
Angle ( ° )	15 °
a	8,5 mm
r min.	0,3 mm
r1 min.	0,15 mm
Weight	0,038 Kg
Basic dynamic load rating (C)	4,45 kN
Basic static load rating (C0)	1,93 kN
(Grease) Lubrication Speed	61 600 r/min
(Oil) Lubrication Speed	84 700 r/min

17BGR10S Bearing 2D drawings and 3D CAD models