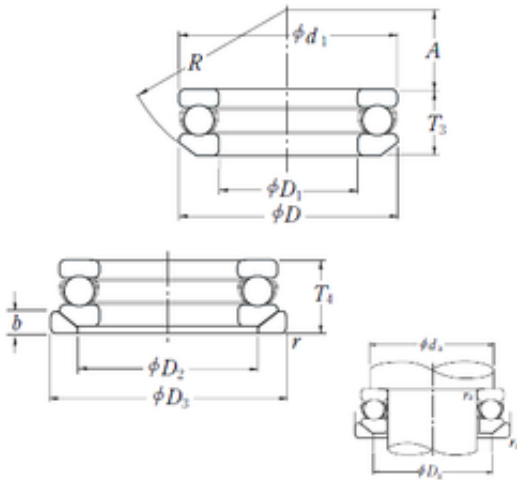




Zaozhuang Yiding Bearing Co., Ltd.

NSK 53205U thrust ball bearings

Bearing No. 53205U



53205U Bearing 2D drawings and 3D CAD models

| | |
|-------------------------------|-------------|
| Size | 25x47x19 mm |
| Bore Diameter | 25 mm |
| Outer Diameter | 47 mm |
| Width | 19 mm |
| d | 25 mm |
| D | 47 mm |
| T | 19 mm |
| b | 5,5 mm |
| d1 | 47 mm |
| r min. | 0,6 mm |
| A | 19 mm |
| D1 | 27 mm |
| D2 | 36 mm |
| D3 | 50 mm |
| R | 40 mm |
| da min. | 38 mm |
| Da max. | 34 mm |
| ra max. | 0,6 mm |
| Weight | 0,151 Kg |
| Basic dynamic load rating (C) | 28 kN |
| Basic static load rating (C0) | 50,5 kN |
| (Grease) Lubrication Speed | 3800 r/min |
| SRI | 4.3 |
| hidYobi | 53205U |
| LangID | 1 |
| D_ | 47 |



Zaozhuang Yiding Bearing Co., Ltd.

| | |
|------------|-------------|
| SREX | 0.04 |
| C | 28 |
| B_ | 19 |
| hidTable | ecat_NSSDTB |
| Oil rpm | 5600 |
| SRE | 4.3 |
| mass | 0.151 |
| GRS rpm | 3800 |
| ra | 0.6 |
| SRIX | 0.04 |
| T4 | 19 |
| D_3 | 50 |
| D_a | 34 |
| SRIN | 0 |
| C0 | 50.5 |
| D_2 | 36 |
| SREN | 0 |
| D_1 | 27 |
| Prod_Type3 | TB_SD_WASW |
| da | 38 |
| DA_ | 7.938 |
| Z_ | 13 |
| yobi | 53205U |
| A_ | 19 |
| T3 | 16.7 |
| SDM_ | 36 |
| r | 0.6 |
| KBRG | 5131 |
| R_ | 40 |