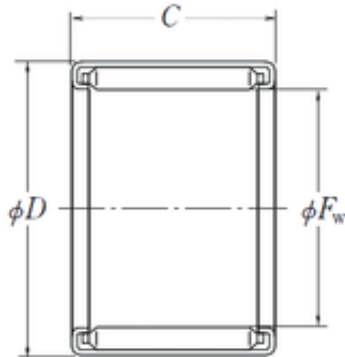




# Zaozhuang Yiding Bearing Co., Ltd.

## NSK F-1412 needle roller bearings



Bearing No. F-1412

Size	14x20x12 mm
Bore Diameter	14 mm
Outer Diameter	20 mm
Width	12 mm
Fw	14 mm
D	20 mm
C	12 mm
Weight	0,012 Kg
Basic dynamic load rating (C)	9,45 kN
(Grease) Lubrication Speed	3800 r/min
NB-DI	0
NA-DEX	18.209
hidYobi	F-1412
LangID	1
D_	20
NC-SLR	9.98
B_	12.5
n_yobi	FIR-101412
hidTable	ecat_NSDCNR
mass_k	12
d1	10
GRS rpm	3800
ra	0.3
NC-SLR1	0
C0	14.061
C1	12

F-1412 Bearing 2D drawings and 3D CAD models



## Zaozhuang Yiding Bearing Co., Ltd.

Prod_Type3	NRB_DC_F-MF_FC_OT
da	12
d	10
NC-RAC	0
Pmax	6350
N-SDM	0
yobi	F-1412
C1_C2	2.2
ND-Z	0
OIL rpm	6000
NC-DA	2.098
N-KBRG	8200
NC-KMS	24
B1	12.5