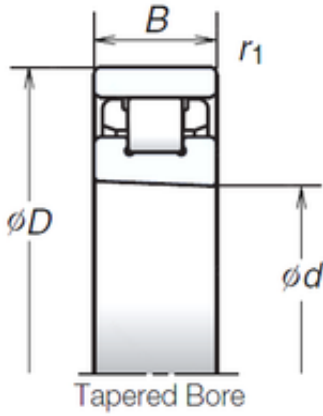




Zaozhuang Yiding Bearing Co., Ltd.



50 mm x 80 mm x 16 mm NSK N1010RSTPKR cylindrical roller bearings

Bearing No. N1010RSTPKR

Size	50x72.5x16 mm
Bore Diameter	50 mm
Outer Diameter	72,5 mm
Width	16 mm
d	50 mm
D	80 mm
E	72,5 mm
B	16 mm
C	16 mm
r min.	1 mm
r1 min.	0,6 mm
Weight	0,283 Kg
Basic dynamic load rating (C)	26,6 kN
Basic static load rating (C0)	29,7 kN
(Grease) Lubrication Speed	15 000 r/min

N1010RSTPKR Bearing 2D drawings and 3D CAD models