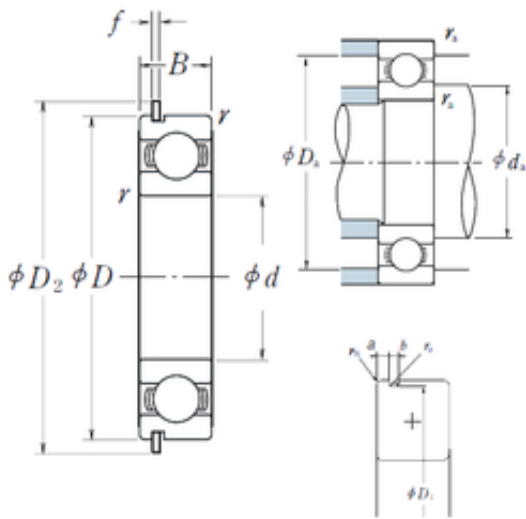




Zaozhuang Yiding Bearing Co., Ltd.



40 mm x 90 mm x 23 mm NSK 6308NR deep groove ball bearings

Bearing No. 6308NR

6308NR Bearing 2D drawings and 3D CAD models

Size	40x90x23 mm
Bore Diameter	40 mm
Outer Diameter	90 mm
Width	23 mm
d	40 mm
D	90 mm
B	23 mm
C	23 mm
rn	0,5 mm
a	3,28 mm
b	2,7 mm
f	2,46 mm
r min.	1,5 mm
r0 max.	0,6 mm
D1	86,79 mm
D2	96,5 mm
da min.	48 mm
da max	53 mm
Da max.	82 mm
ra max.	1,5 mm
Weight	0,636 Kg
Basic dynamic load rating (C)	40,5 kN
Basic static load rating (C0)	24 kN
(Grease) Lubrication Speed	7 500 r/min
(Oil) Lubrication Speed	9 000 r/min



Zaozhuang Yiding Bearing Co., Ltd.

Category	Single Row Ball Bearings
Inventory	0.0
Manufacturer Name	NSK
Minimum Buy Quantity	N/A
Weight / Kilogram	0.66
EAN	0029176016882
Product Group	B00308
Enclosure	Open
Precision Class	ABEC 1 ISO P0
Maximum Capacity / Filling Slot	No
Rolling Element	Ball Bearing
Snap Ring	Yes
Internal Special Features	No
Cage Material	Steel
Internal Clearance	C0-Medium
Inch - Metric	Metric
Long Description	40MM Bore; 90MM Outside Diameter; 23MM Outer Race Diameter; Open; Ball Bearing; ABEC 1 ISO P0; No Filling Slot; Yes Snap Ring; No Internal Special Features
Category	Single Row Ball Bearing
UNSPSC	31171504
Harmonized Tariff Code	8482.10.50.68
Noun	Bearing
Keyword String	Ball
Manufacturer URL	http://www.nskamericas.com
Weight / LBS	1.455
Outer Race Width	0.906 Inch 23 Millimeter
Outside Diameter	3.543 Inch 90 Millimeter
Bore	1.575 Inch 40 Millimeter



Zaozhuang Yiding Bearing Co., Ltd.

bore diameter:	40 mm
dynamic load capacity:	9600 lbs
outside diameter:	90 mm
static load capacity:	5400 lbs
overall width:	23 mm
bearing material:	Steel
bore type:	Round
maximum rpm (grease):	9000 rpm
closure type:	Open
maximum rpm (oil):	11000 rpm
row type & fill slot:	Single Row Non-Fill Slot
manufacturer catalog:	Click here
snap ring included:	With Snap Ring
manufacturer upc number:	029176016882
internal clearance:	C0
SRI	7.62
hidYobi	6308NR
LangID	1
ro	0.6
D_	90
SREX	0.065
B_	23
da min	48
hidTable	ecat_NSRDGB
Oil rpm	9000
SRE	7.99
Cy	5.4
mass	0.636
GRS rpm	7500
ra	1.5
SRIX	0.03
D_a	82



Zaozhuang Yiding Bearing Co., Ltd.

SRIN	0
C0	24
fo	13.2
SREN	0
DE_	80.081
Prod_Type3	DGBB_SR_NR_OT
DA_	15.081
bomp	0
Z_	8
yobi	6308NR
Dx	98
C_conv	40500
ALPHA_	0
SDM_	65
r	1.5
KBRG	6101
SBRG	3
DI_	49.919