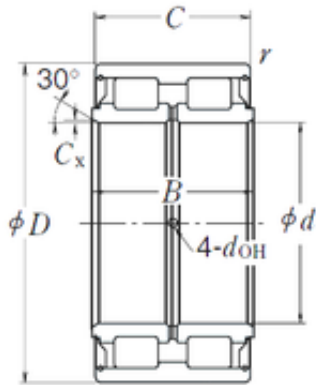




Zaozhuang Yiding Bearing Co., Ltd.



50 mm x 80 mm x 40 mm NSK RS-5010 cylindrical roller bearings

Bearing No. RS-5010

RS-5010 Bearing 2D drawings and 3D CAD models

Size	50x80x40 mm
Bore Diameter	50 mm
Outer Diameter	80 mm
Width	40 mm
d	50 mm
D	80 mm
B	40 mm
C	39 mm
r min.	0,6 mm
C2	0,4 mm
Weight	0,76 Kg
Basic dynamic load rating (C)	100 kN
Basic static load rating (C0)	158 kN
hidYobi	RS-5010
LangID	1
D_	80
B_	40
hidTable	ecat_NSCLDRSG
Cx	0.4
mass	0.76
GRS rpm	2000
da_min	53.5
C0	158
DE_	72.5
Prod_Type3	CRB_FRFS_PT_WOLR



Zaozhuang Yiding Bearing Co., Ltd.

DA_	7.5
Z_	27
r_min	0.6
yobi	RS-5010
SDM_	65
r	39
KBRG	4220
DI_	57.5
doh	2.5