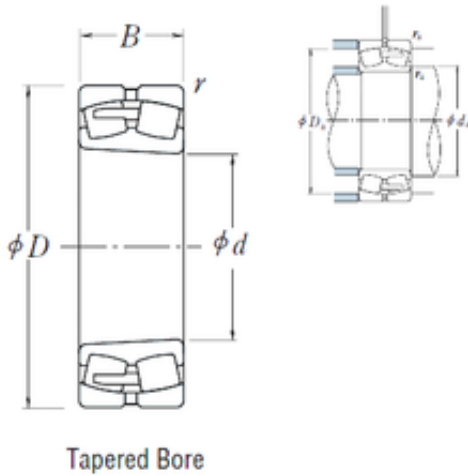




Zaozhuang Yiding Bearing Co., Ltd.

400 mm x 650 mm x 200 mm NSK 23180CAKE4 spherical roller bearings

Bearing No. 23180CAKE4



23180CAKE4 Bearing 2D drawings and 3D CAD models

Size	400x650x200 mm
Bore Diameter	400 mm
Outer Diameter	650 mm
Width	200 mm
d	400 mm
D	650 mm
B	200 mm
C	200 mm
r min.	6 mm
da min.	428 mm
Da min	569 mm
Da max.	622 mm
ra max.	5 mm
Weight	257 Kg
Basic dynamic load rating (C)	4150 kN
Basic static load rating (C0)	7900 kN
(Grease) Lubrication Speed	380 r/min
(Oil) Lubrication Speed	480 r/min
Calculation factor (e)	0,29
Calculation factor (Y0)	2,3
Calculation factor (Y2)	3,4