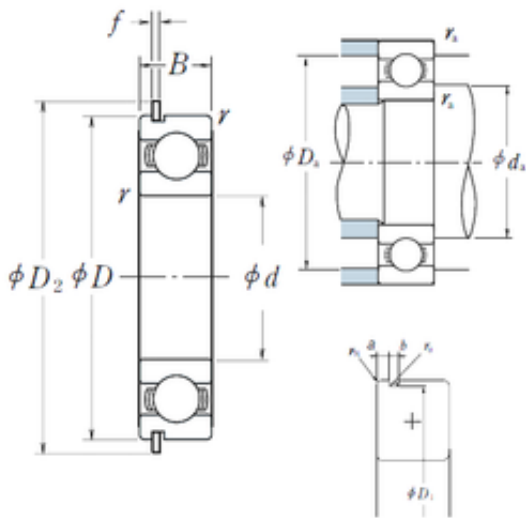




Zaozhuang Yiding Bearing Co., Ltd.



120 mm x 180 mm x 28 mm NSK 6024NR deep groove ball bearings

Bearing No. 6024NR

6024NR Bearing 2D drawings and 3D CAD models

Size	120x180x28 mm
Bore Diameter	120 mm
Outer Diameter	180 mm
Width	28 mm
d	120 mm
D	180 mm
B	28 mm
C	28 mm
rn	0,5 mm
a	3,71 mm
b	3,5 mm
f	3,1 mm
r min.	2 mm
r0 max.	0,6 mm
D1	173,66 mm
D2	192,9 mm
da min.	129 mm
da max	134,5 mm
Da max.	171 mm
ra max.	2 mm
Weight	2,08 Kg
Basic dynamic load rating (C)	88 kN
Basic static load rating (C0)	80 kN
(Grease) Lubrication Speed	3 600 r/min
(Oil) Lubrication Speed	4 300 r/min



Zaozhuang Yiding Bearing Co., Ltd.

Category	Single Row Ball Bearings
Inventory	0.0
Manufacturer Name	NSK
Minimum Buy Quantity	N/A
Weight / Kilogram	2.2
Product Group	B00308
Enclosure	Open
Precision Class	ABEC 1 ISO P0
Maximum Capacity / Filling Slot	No
Rolling Element	Ball Bearing
Snap Ring	Yes
Internal Special Features	No
Cage Material	Steel
Internal Clearance	C0-Medium
Inch - Metric	Metric
Long Description	120MM Bore; 180MM Outside Diameter; 28MM Outer Race Width; Open; Ball Bearing; ABEC 1 ISO P0; No Filling Slot; Yes Snap Ring; No Internal Special Features; C0-Medium Internal Clearance; Steel Cage
Other Features	Deep Groove With Snap Ring
Category	Single Row Ball Bearing
UNSPSC	31171504
Harmonized Tariff Code	8482.10.50.68
Noun	Bearing
Keyword String	Ball
Manufacturer URL	http://www.nskamericas.com
Weight / LBS	4.5864
Bore	4.724 Inch 120 Millimeter



Zaozhuang Yiding Bearing Co., Ltd.

Outside Diameter	7.087 Inch 180 Millimeter
Outer Race Width	1.102 Inch 28 Millimeter
Inner Race Width	0 Inch 0 Millimeter
SRI	9.86
hidYobi	6024NR
LangID	1
ro	0.6
D_	180
SREX	0.04
B_	28
da min	129
hidTable	ecat_NSRDGB
Oil rpm	4300
SRE	9.86
Cy	6.4
mass	2.08
GRS rpm	3600
ra	2
SRIX	0.04
D_a	171
SRIN	-0.04
C0	80
fo	15.7
SREN	-0.04
DE_	169.05
Prod_Type3	DGBB_SR_NR_OT
DA_	19.05
bomp	0
Z_	14
yobi	6024NR
Dx	195
C_conv	88000



Zaozhuang Yiding Bearing Co., Ltd.

ALPHA_	0
SDM_	150
r	2
KBRG	6101
SBRG	10
DI_	130.95