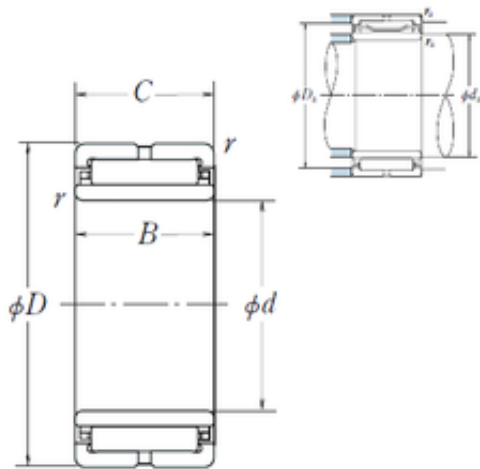




Zaozhuang Yiding Bearing Co., Ltd.

15 mm x 28 mm x 23 mm NSK NA6902 needle roller bearings



Bearing No. NA6902

Size	15x28x23 mm
Bore Diameter	15 mm
Outer Diameter	28 mm
Width	23 mm
d	15 mm
Fw	20 mm
D	28 mm
B	23 mm
C	23 mm
r min.	0,3 mm
da min.	17 mm
Da max.	26 mm
ra max.	0,3 mm
Weight	0,064 Kg
Basic dynamic load rating (C)	19,3 kN
Basic static load rating (C0)	28,6 kN
(Grease) Lubrication Speed	13000 r/min
hidYobi	NA6902
LangID	1
D_	28
B_	23
hidTable	ecat_NS MRNR
GRS rpm	13000
ra	0.3
da_min	17

NA6902 Bearing 2D drawings and 3D CAD models



Zaozhuang Yiding Bearing Co., Ltd.

d2	15
C0	28.6
C1_	23
DE_	25
SLR	17.8
Prod_Type3	NRB_S_NA
DA_	2.5
Z_	17
SI	20
yobi	NA6902
da_max	26
OIL rpm	22000
SDM_	22.5
r	0.3
KBRG	8353
mass2	0.064
B1	23