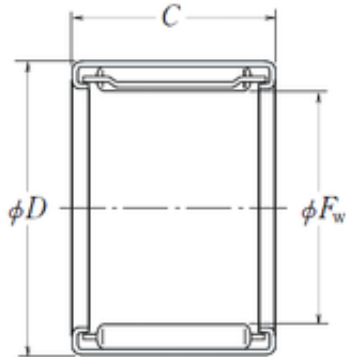




Zaozhuang Yiding Bearing Co., Ltd.

NSK FJ-1812 needle roller bearings



Bearing No. FJ-1812

| | |
|-------------------------------|-------------|
| Size | 18x24x12 mm |
| Bore Diameter | 18 mm |
| Outer Diameter | 24 mm |
| Width | 12 mm |
| Fw | 18 mm |
| D | 24 mm |
| C | 12 mm |
| Weight | 0,012 Kg |
| Basic dynamic load rating (C) | 7650 kN |
| (Grease) Lubrication Speed | 11000 r/min |
| NB-DI | 0 |
| NA-DEX | 22.209 |
| hidYobi | FJ-1812 |
| LangID | 1 |
| D_ | 24 |
| NC-SLR | 7.21 |
| B_ | 12.5 |
| n_yobi | FIR-151812 |
| hidTable | ecat_NSDCNR |
| mass_k | 12 |
| d1 | 15 |
| GRS rpm | 11000 |
| ra | 0.3 |
| NC-SLR1 | 0 |
| C0 | 9.585 |
| C1 | 12 |

FJ-1812 Bearing 2D drawings and 3D CAD models



Zaozhuang Yiding Bearing Co., Ltd.

| | |
|------------|-------------------------|
| Prod_Type3 | NRB_DC_FJ- MFJ_WC_OT |
| da | 17 |
| d | 15 |
| NC-RAC | 0 |
| Pmax | 4200 |
| N-SDM | 0 |
| yobi | FJ-1812 |
| C1_C2 | 1 |
| ND-Z | 18 |
| OIL rpm | 18000 |
| NC-DA | 2.098 |
| N-KBRG | 8201 |
| NC-KMS | 18 |
| B1 | 12.5 |