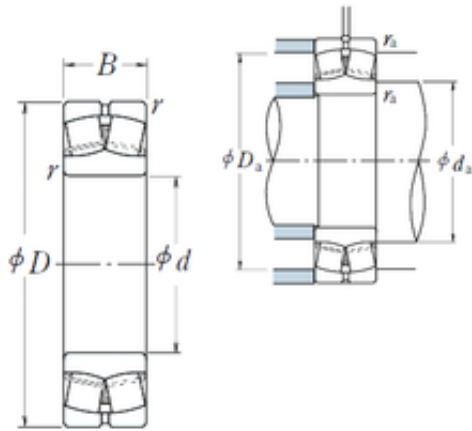




# Zaozhuang Yiding Bearing Co., Ltd.



95 mm x 170 mm x 43 mm NSK 22219EAE4 spherical roller bearings

Bearing No. 22219EAE4

22219EAE4 Bearing 2D drawings and 3D CAD models

Size	95x170x43 mm
Bore Diameter	95 mm
Outer Diameter	170 mm
Width	43 mm
d	95 mm
D	170 mm
B	43 mm
C	43 mm
r min.	2,1 mm
da min.	107 mm
da max	115 mm
Da min	152 mm
Da max.	158 mm
ra max.	2 mm
Weight	4,04 Kg
Basic dynamic load rating (C)	330 kN
Basic static load rating (C0)	450 kN
(Grease) Lubrication Speed	2600 r/min
(Oil) Lubrication Speed	3400 r/min
Calculation factor (e)	0,24
Calculation factor (Y0)	2,8
Calculation factor (Y2)	4,3
Category	Spherical Roller Bearings
Inventory	0.0
Manufacturer Name	NSK



## Zaozhuang Yiding Bearing Co., Ltd.

Minimum Buy Quantity	N/A
Weight / Kilogram	4.2
Product Group	B04311
Internal Clearance	C0-Medium
Mounting Method	Shaft Mount
Rolling Element	Spherical Roller Bearing
Bore Profile	Straight
Cage Material	Steel
Enclosure	Open
Number of Rows of Rollers	Double Row
Relubricatable	Yes
Withdrawal Sleeve	Not Applicable
Inch - Metric	Metric
Long Description	95MM Straight Bore; 170MM Outside Diameter; 43MM Width; C0-Medium Clearance; Shaft Mount; Double Row of Spherical Roller Bearings; Steel Cage Material; Open Enclosure; Relubricatable
Category	Spherical Roller Bearing
UNSPSC	31171510
Harmonized Tariff Code	84823080
Noun	Bearing
Keyword String	Spherical
Manufacturer URL	<a href="http://www.nskamericas.com">http://www.nskamericas.com</a>
Manufacturer Item Number	22219EAE4
Weight / LBS	4.2
Bore	3.74 Inch   95 Millimeter
Adapter Part Number	Not Applicable Inch   Not Applicable Millimeter
Outside Diameter	6.693 Inch   170 Millimeter
Width	1.693 Inch   43 Millimeter



## Zaozhuang Yiding Bearing Co., Ltd.

bore diameter:	95 mm
maximum rpm:	3800 RPM
outside diameter:	170 mm
operating temperature range:	Maximum of +200 ° C
overall width:	43 mm
cage material:	Steel
bore type:	Straight
bearing material:	Steel
outer ring type:	Not Split
cage type:	Roller Guided
internal clearance:	C0
precision rating:	RBEC 1 (ISO Class Normal)
closure type:	Open
finish/coating:	Uncoated
lubrication hole type:	Lubrication Groove & Hole
outer ring width:	43 mm
dynamic load capacity:	415000 N
fillet radius:	2.1 mm
static load capacity:	450000 N
series:	222
Y3	2.9
hidYobi	22219EAE4
LangID	1
Y1	2.9
D_	170
Y2	4.3
Macha rpm	4500
B_	43
da min	107
hidTable	ecat_NSSPHR
Oil rpm	3800



## Zaozhuang Yiding Bearing Co., Ltd.

Y0	2.8
mass	4.04
GRS rpm	3000
ra	2
TSR rpm	3800
C0	450
DE_	155.103
X0	1
Prod_Type3	SRB_CTB_CB
X1	1
X2	0.67
SIR	17.22
e	0.24
DA_	19.3
bomp	22219EAE4
Z_	20
ALP2	55
ALP1	8
ALP3	0
D_a max	158
D_a min	152
yobi	22219EAE4
HPS	HPS
ALPHA_	0.156
SDM_	136.036
r	2.1
KBRG	2328
SBRG	22
DI_	116.969