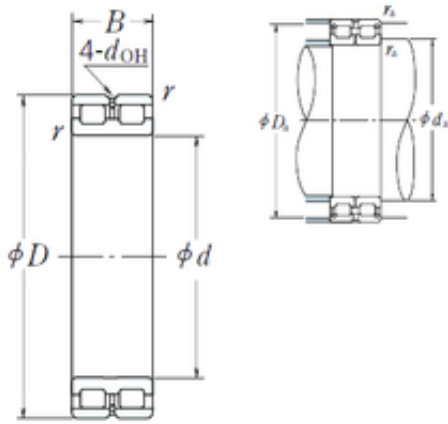




Zaozhuang Yiding Bearing Co., Ltd.

460 mm x 620 mm x 160 mm NSK RSF-4992E4 cylindrical roller bearings



Bearing No. RSF-4992E4

RSF-4992E4 Bearing 2D drawings and 3D CAD models

Size	460x620x160 mm
Bore Diameter	460 mm
Outer Diameter	620 mm
Width	160 mm
d	460 mm
D	620 mm
B	160 mm
C	160 mm
r min.	4 mm
da min.	476 mm
Da max.	604 mm
ra max.	3 mm
Weight	142 Kg
Basic dynamic load rating (C)	2870 kN
Basic static load rating (C0)	7500 kN
(Grease) Lubrication Speed	190 r/min
hidYobi	RSF-4992E4
LangID	1
D_	620
B_	160
hidTable	ecat_NSCLDRS
Oil rpm	190
mass	142
GRS rpm	380
ra	3



Zaozhuang Yiding Bearing Co., Ltd.

da_min	476
C0	7500
DE_	573
Prod_Type3	CRB_FRFS_OT_FREE
DA_	38
Z_	44
yobi	RSF-4992E4
da_max	604
SDM_	535
r	4
KBRG	4220
disp	8
DI_	497
doh	11