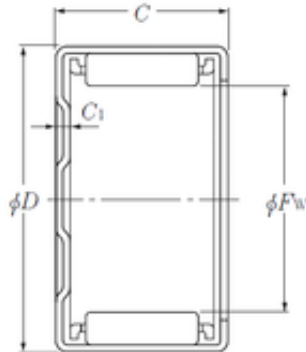


NTN BK1210 needle roller bearings



Bearing No. BK1210

Size	12x16x10 mm
Bore Diameter	12 mm
Outer Diameter	16 mm
Width	10 mm
Fw	12 mm
D	16 mm
C	10 mm
C1	1,6 mm
Weight	0,0052 Kg
Basic dynamic load rating (C)	5,05 kN
Basic static load rating (C0)	6,25 kN
(Grease) Lubrication Speed	13 000 r/min
Dw	1.5 mm
Lw	6.3 mm
Lubrication hole on outer ring	Non/No
Inner ring reference	IR8X12X10.5
Mass	0.0052 kg
Cr	5.05 kN
C0r	6.25 kN
Nlim (grease)	13,000 rpm
Nlim (oil)	20,000 rpm
Min operating temperature, Tmin	-20 ° C
Max operating temperature, Tmax	120 ° C

BK1210 Bearing 2D drawings and 3D CAD models



Zaozhuang Yiding Bearing Co., Ltd.

Characteristic cage frequency, FTF	0.44 Hz
Characteristic rolling element frequency, BSF	8.89 Hz
Characteristic outer ring frequency, BPF0	8 Hz
Characteristic inner ring frequency, BRFI	10 Hz
Category	Bearings
Inventory	0.0
Manufacturer Name	NTN
Minimum Buy Quantity	N/A
Weight / Kilogram	0.01
Product Group	B04144