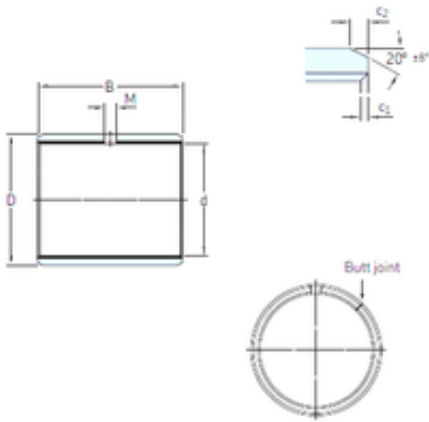




Zaozhuang Yiding Bearing Co., Ltd.

50 mm x 55 mm x 30 mm SKF PCM 505530 M plain bearings



Bearing No. PCM 505530 M

PCM 505530 M Bearing 2D drawings and 3D CAD models

Size	50x55x30 mm
Bore Diameter	50 mm
Outer Diameter	55 mm
Width	30 mm
d	50 mm
D	55 mm
B	30 mm
c1 min	0,2 mm
c2 min	1,2 mm
M	5 mm
Weight	0,086 Kg
Basic dynamic load rating (C)	176 kN
Category	Plain Bearings
Inventory	0.0
Manufacturer Name	SKF
Minimum Buy Quantity	N/A
Weight / Kilogram	0.896
Product Group	B04264
c ₁ min.	0.2 mm
c ₁ max.	1 mm
c ₂ min.	1.2 mm
c ₂ max.	2.4 mm
± 8	20 °
Tolerance shaft	h8
Tolerance housing	H7



Zaozhuang Yiding Bearing Co., Ltd.

Basic dynamic load rating - radial direction C	176 kN
Basic static load rating - radial direction C_0	365 kN
Specific dynamic load factor K	120 N/mm ²
Specific static load factor K_0	250 N/mm ²
Factor depending on material and bearing type K_M	1900
Permissible sliding velocity v min.	0 m/s
Permissible sliding velocity v max.	2.5 m/s
Coefficient of friction μ min.	0.02
Coefficient of friction μ max.	0.2
Mass bushing	0.086 kg