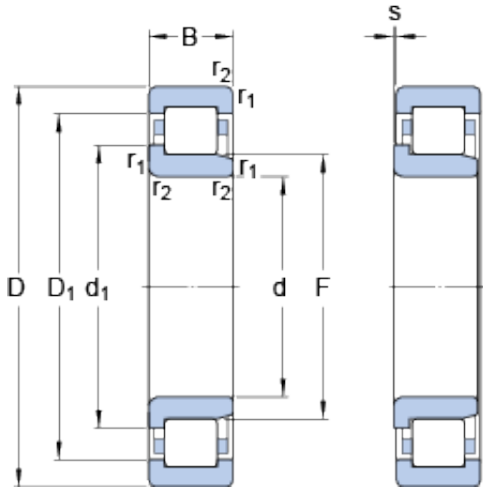




# Zaozhuang Yiding Bearing Co., Ltd.



480 mm x 600 mm x 56 mm SKF NJ 1896 MA  
thrust ball bearings

Bearing No. NJ 1896 MA

NJ 1896 MA Bearing 2D drawings and 3D CAD models

Size	600x480x56 mm
Bore Diameter	600 mm
Outer Diameter	480 mm
Width	56 mm
d	480 mm
D	600 mm
B	56 mm
d <sub>1</sub>	522 mm
D <sub>1</sub>	561 mm
F	511 mm
r <sub>1,2</sub> - min.	3 mm
s	0.4 mm
d <sub>a</sub> - min.	493 mm
d <sub>a</sub> - max.	507 mm
d <sub>b</sub> - min.	528 mm
D <sub>a</sub> - max.	587 mm
r <sub>a</sub> - max.	2.5 mm
Basic dynamic load rating - C	765 kN
Basic static load rating - C <sub>0</sub>	1560 kN
Fatigue load limit - P <sub>u</sub>	122 kN
Reference speed	1000 r/min
Limiting speed	1300 r/min
Calculation factor - k <sub>r</sub>	0.05
d <sub>1</sub>	522 mm



## Zaozhuang Yiding Bearing Co., Ltd.

$D_1$	561 mm
$r_{1,2}$ min.	3 mm
s max.	0.4 mm
$d_a$ min.	493 mm
$d_a$ max.	507 mm
$d_b$ min.	528 mm
$D_a$ max.	587 mm
$r_a$ max.	2.5 mm
Basic dynamic load rating C	765 kN
Basic static load rating $C_0$	1560 kN
Fatigue load limit $P_u$	122 kN
Calculation factor $k_r$	0.05
Limiting value e	0.2
Axial load factor Y	0.6
Mass bearing	39.5 kg