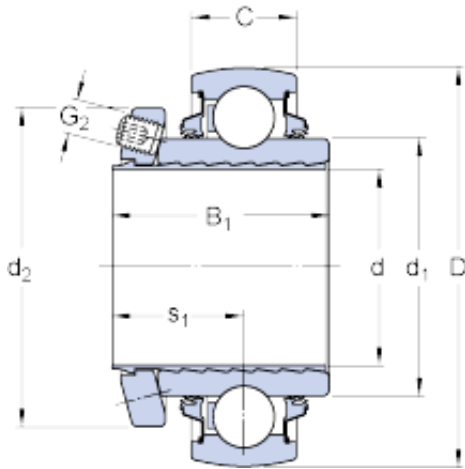




# Zaozhuang Yiding Bearing Co., Ltd.



YSPAG 207 Bearing 2D drawings and 3D CAD models

## SKF YSPAG 207 deep groove ball bearings

Bearing No. YSPAG 207

Size	72x35x39.5 mm
Bore Diameter	72 mm
Outer Diameter	35 mm
Width	39,5 mm
d	35 mm
D	72 mm
B <sub>1</sub>	39.5 mm
C	19 mm
d <sub>1</sub>	46.1 mm
d <sub>2</sub>	57 mm
s <sub>1</sub>	24.3 mm
Basic dynamic load rating - C	25.5 kN
Basic static load rating - C <sub>0</sub>	15.3 kN
Fatigue load limit - P <sub>u</sub>	0.655 kN
Limiting speed	1100 r/min
Calculation factor - f <sub>0</sub>	14
Mass bearing	0.44 kg
Thread - G <sub>2</sub>	M6
Hexagonal key size for grub screw - H	3 mm
Recommended tightening torque for grub screw	7.4 N · m
Category	Bearings
Inventory	0.0
Manufacturer Name	SKF



## Zaozhuang Yiding Bearing Co., Ltd.

Minimum Buy Quantity	N/A
Weight / Kilogram	0
Product Group	M06110
$B_1$	39.7 mm
$d_1$	46.1 mm
$d_2$	57 mm
$s_1$	24.5 mm
Basic dynamic load rating C	25.5 kN
Basic static load rating $C_0$	15.3 kN
Fatigue load limit $P_u$	0.655 kN
Limiting speed <sup>1)</sup>	1100 r/min
Calculation factor $f_0$	14
Mass complete bearing	0.44 kg
Thread grub screw $G_2$	M6
Hexagonal key size for grub screw N	3.05 mm
Rubber seating ring	RIS 207 A