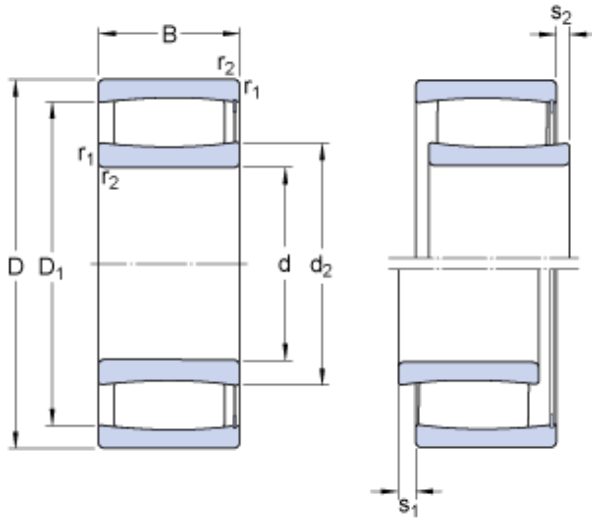




Zaozhuang Yiding Bearing Co., Ltd.



40 mm x 62 mm x 22 mm SKF C 4908 V
cylindrical roller bearings

Bearing No. C 4908 V

C 4908 V Bearing 2D drawings and 3D CAD models

Size	62x40x22 mm
Bore Diameter	62 mm
Outer Diameter	40 mm
Width	22 mm
d	40 mm
D	62 mm
B	22 mm
d ₂	46.1 mm
D ₁	55.3 mm
s ₁	4.7 mm
s ₂	1.7 mm
r _{1,2} - min.	0.6 mm
d _a - min.	43.2 mm
d _a - max.	52 mm
D _a - max.	58.8 mm
r _a - max.	0.6 mm
Basic dynamic load rating - C	76.5 kN
Basic static load rating - C ₀	100 kN
Fatigue load limit - P _u	11.8 kN
Limiting speed	4300 r/min
Factor - k ₁	0.099
Factor - k ₂	0.114
Category	Roller Bearings



Zaozhuang Yiding Bearing Co., Ltd.

Inventory	0.0
Manufacturer Name	SKF
Minimum Buy Quantity	N/A
Weight / Kilogram	0.254
Product Group	B04144
d_2	46.1 mm
D_1	55.3 mm
s_1 max.	4.7 mm
s_2 max.	1.7 mm
$r_{1,2}$ min.	0.6 mm
d_a min.	43.2 mm
d_a max.	52 mm
D_a max.	58.8 mm
r_a max.	0.6 mm
Basic dynamic load rating C	76.5 kN
Basic static load rating C_0	100 kN
Fatigue load limit P_u	11.8 kN
Misalignment factor k_1	0.099
Operating clearance factor k_2	0.114
Mass bearing	0.25 kg