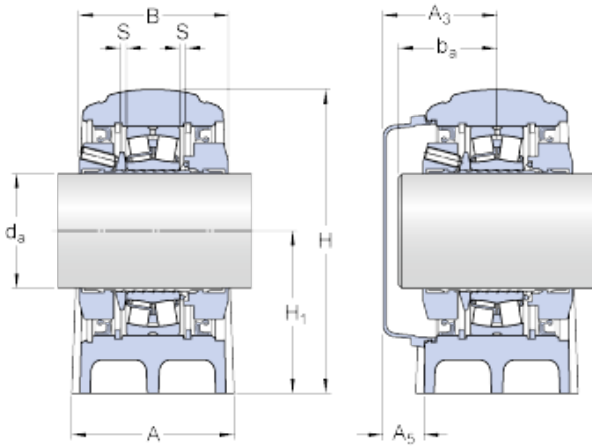




Zaozhuang Yiding Bearing Co., Ltd.



SKF SYNT 65 LTF bearing units

Bearing No. SYNT 65 LTF

Size	65x80x71 mm
Bore Diameter	65 mm
Outer Diameter	80 mm
Width	71 mm
d_a	65 mm
A	80 mm
B	71 mm
H	158 mm
H_1	80 mm
H_2	30 mm
J	230 mm
L	280 mm
H	24 mm
N_1	18 mm
S	2.5 mm
J_6	254 mm
J_7	29 mm
N_4 - max.	8 mm
A_3	73 mm
A_5	35.5 mm
b_a - min.	38 mm
b_a - max.	65 mm
Basic dynamic load rating - C	193 kN
Basic static load rating - C_0	216 kN

SYNT 65 LTF Bearing 2D drawings and 3D CAD models



Zaozhuang Yiding Bearing Co., Ltd.

Fatigue load limit - P_u	24 kN
Limiting speed	1350 r/min
Calculation factor - e	0.24
Calculation factor - Y_1	2.8
Calculation factor - Y_2	4.2
Diameter - d_m	92.5 mm
Basic Designation bearing	22213 E
P_a	20 kN
P_{0°	290 kN
P_{55°	380 kN
P_{90°	230 kN
P_{120°	155 kN
P_{150°	140 kN
P_{180°	210 kN
Mass bearing unit	8.7 kg
d_a	65 mm
H_1	80 mm
H_2	30 mm
N	24 mm
N_1	18 mm
A_3	73 mm
A_5	35.5 mm
b_a min.	38 mm
b_a max.	65 mm
J_6	254 mm
J_7	29 mm
N_4 max.	8 mm
Basic dynamic load rating C	193 kN
Basic static load rating C_0	216 kN
Fatigue load limit P_u	24 kN



Zaozhuang Yiding Bearing Co., Ltd.

Calculation factor e	0.24
Calculation factor Y_1	2.8
Calculation factor Y_2	4.2
Bearing mean diameter d_m	92.5 mm
P_{0°	290 kN
P_{55°	380 kN
P_{90°	230 kN
P_{120°	155 kN
P_{150°	140 kN
P_{180°	210 kN
P_a	20 kN
Attachment bolt diameter G	16 mm
Tightening torque for attachment bolts	200 N · m
Grub screws	4 x M 6
Tightening torque for grub screws	8 N · m
Grease quantity for relubrication	7 g