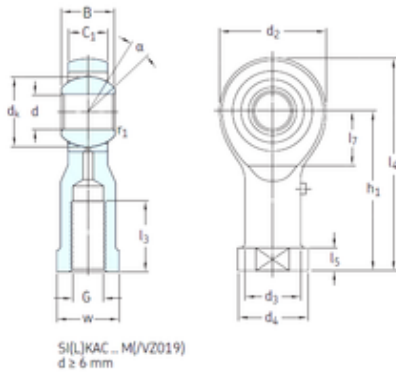




Zaozhuang Yiding Bearing Co., Ltd.

SKF SILKAC18M plain bearings



Bearing No. SILKAC18M

Bore Diameter	18 mm
d	18 mm
d2	47 mm
d3	25 mm
d4 max.	32 mm
dk	31,7 mm
h1	71 mm
l3 min.	27 mm
l4 max.	96 mm
l5	10 mm
l7 min.	23 mm
r1 min.	0,3 mm
B	23 mm
C1	17,5 mm
w	27 Tolerance h14
Thread (G)	M18x1,5 Tolerance 6H
Angle	15 °
Weight	0,3 Kg
Basic dynamic load rating (C)	26 kN

SILKAC18M Bearing 2D drawings and 3D CAD models