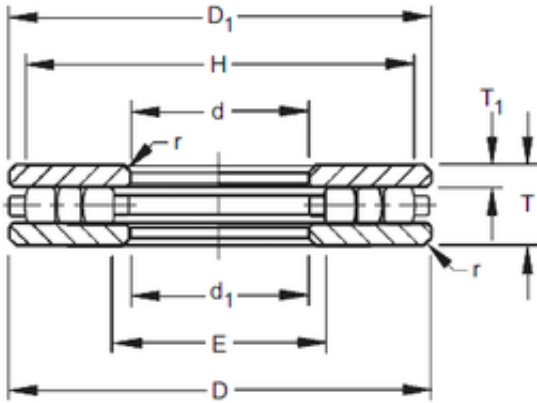




# Zaozhuang Yiding Bearing Co., Ltd.

## Timken 160TP164 thrust roller bearings

Bearing No. 160TP164



160TP164 Bearing 2D drawings and 3D CAD models

Size	406.4x558.8x114.3 mm
Bore Diameter	406,4 mm
Outer Diameter	558,8 mm
Width	114,3 mm
d	406,4 mm
D	558,8 mm
T	114,3 mm
r max	6,4 mm
T1	31,75 mm
d1	409,6 mm
D1	555,6 mm
E	425,4 mm
H	539,8 mm