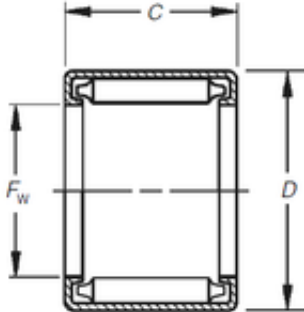




Zaozhuang Yiding Bearing Co., Ltd.

Timken B-3416 needle roller bearings



Bearing No. B-3416

Size	53.975x63.5x25.4 mm
Bore Diameter	53,975 mm
Outer Diameter	63,5 mm
Width	25,4 mm
Fw	53,975 mm
D	63,5 mm
C	25,4 mm
Weight	0,131 Kg
Basic dynamic load rating (C)	59,2 kN
Basic static load rating (C0)	147 kN
(Grease) Lubrication Speed	2000 r/min

B-3416 Bearing 2D drawings and 3D CAD models