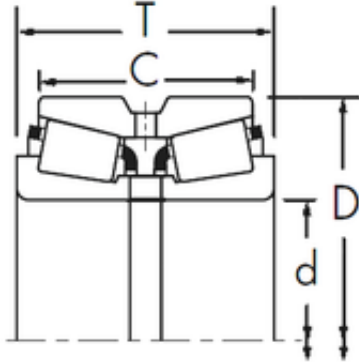




Zaozhuang Yiding Bearing Co., Ltd.

Timken 744/742D+X2S-744 tapered roller bearings



Bearing No. 744/742D+X2S-744

Size	73.025x155.575x101.6 mm
Bore Diameter	73,025 mm
Outer Diameter	155,575 mm
Width	101,6 mm
d	73,025 mm
D	155,575 mm
T	101,6 mm
C	85,725 mm
R	3,5 mm
r	1,5 mm

744/742D+X2S-744 Bearing 2D drawings and 3D CAD models